



MAGELLAN Cello 40TH
Datasheet



ÉDITION 40^{ÈME} ANNIVERSAIRE

All the magic of music unfolds in this compact 110cm high 3-way floorstander. The real achievement lies in the transfer of the performance of the MAGELLAN Grand Concert into a modestly sized speaker.

The TZ2900 horn tweeter features a next generation dome in magnesium alloy that enhances the finest details of your recordings. This transducer brings out all the details of the upper harmonics.

Specialized in the midrange frequency, Triangle perpetuates its tradition with a 16cm driver with a paper cone and small pleat suspensions, reproducing the vocal register with great neutrality and without the slightest coloration.

The sandwich technology developed by the aerospace industry ensures that the two bass drivers cone are extremely lightweight and at the same time also exceptionally rigid.

The Cello achieves a unique kind of intensity. The listening experience is pure unlimited pleasure regardless of the type of music, delivered with magnificent scale and it is never fatiguing. It has a wide array of musical skills. It is as perfectly at ease at high volume as it is for intimate listening and is suitable for rooms measuring 25 to 50 m2.

FINISHES :



Space Black



Golden Oak



Shadow Zebrano

TECHNOLOGIES



Tweeter TZ2900PMMG
New Magnesium Dome



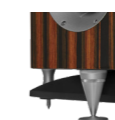
Medium T16GMF100
New cone



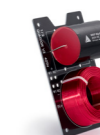
Grave T16GMMT15GS1
SVA & LHS2 technologies



Interne cable
AudioQuest cable
LGC coper



SPEC
Anti-vibration system



Filters & components
SCR AUDIO capacitors and
air core coils

TECHNICAL SPECIFICATIONS

Type	Bass Reflex	High frequency roll-off (KHz)	2.6 (24dB/Oct)
Ways	3	Nominal impedance (ohms)	8
Driver units	4	Minimum impedance (ohms)	3
Sensibility (dB/W/m)	90	Dimensions (inch) L x P x H	9.9 x 13.4 x 42.5
Bandwith (+/-3dB Hz-KHz)	35 - 30	Dimensions with pedestal (inch) L x P x H	16.7 x 14.6 x 44.9
Power handling (W)	40 - 300	Unit net weight (Lbs)	85.5
Low frequency roll-off (Hz)	300 (12dB/Oct)		



MAGELLAN Quatuor 40TH
Datasheet



ÉDITION 40^{ÈME} ANNIVERSAIRE

Music as if you were at the opera. The sound image takes on a whole new dimension here, filling the space with sophistication. The Quatuor 40th, a 135cm high 3-way floorstander, is the flagship of the new MAGELLAN 40th anniversary edition.

With a new dome made of magnesium alloy, its horn tweeter reveals the finest details of your recordings smoothly and accurately. The Quatuor 40th is characterized by the addition of a rear tweeter that allows the speaker to radiate energy to the front and rear of the transmitting point. The sound level is better distributed, and the placement of the speaker simplified.

The 16cm driver with a paper diaphragm and small pleat suspensions, a distinctive feature of TRIANGLE speakers, reproduces any vocal register with great neutrality and without the slightest coloration.

The powerful and extensive bass of the three 16cm drivers is perfectly suited for modern music as well as for a prestigious string quartet or a cello suite. Its proprietary SVA diaphragm and its cooling system provide exceptional performances in the bass and sub-bass register.

Its extended bandwidth and its significant reserve of power make it possible to easily provide sound in rooms larger than 30m².

FINISHES :



Space Black



Golden Oak



Shadow Zebrano

TECHNOLOGIES



Tweeter TZ2900PMMG
New Magnesium Dome



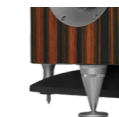
Medium T16GMF100
New cone



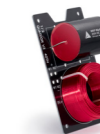
Grave T16GMMT15GS2
SVA & LHS2 technologies



Interne cable
AudioQuest cable
LGC copper



SPEC
Anti-vibration system



Filters & components
SCR AUDIO capacitors and
air core coils

TECHNICAL SPECIFICATIONS

Type	Bass Reflex	High frequency roll-off (KHz)	2.6 (24dB/Oct)
Ways	3	Nominal impedance (ohms)	8
Driver units	6	Minimum impedance (ohms)	3
Sensibilité (dB/W/m)	91	Dimensions (mm) L x P x H	9.9 x 13.4 x 50.4
Bandwidth (+/-3dB Hz-KHz)	33 - 30	Dimensions with pedestal (inch) L x P x H	16.7 x 14.6 x 52.7
Power handling (W)	50 - 400	Unit net weight (Lbs)	103.6
Low frequency roll-off (Hz)	350 (12dB/Oct)		



MAGELLAN Duetto 40TH
Datasheet



ÉDITION 40^{ÈME} ANNIVERSAIRE

Liveliness and dynamics are trademarks of TRIANGLE's sound, and they are packed into this gem, the Duetto, a compact 2-way bookshelf speaker.

Superb piece of engineering, its horn-loaded tweeter TZ2900 is equipped with a next generation dome in magnesium alloy. This transducer highlights the finest details of your recordings and brings out the subtlety of the upper harmonics.

Its full-range 16 cm midrange/bass driver produces rich bass details. It features a new paper cone that reproduces any vocal register with great neutrality without the slightest coloration. The Duetto speaker offers a really clear sound and puts the music forward.

Its elaborate crossover, equipped with high quality components, optimizes the bass and treble phasing for an outstanding transparency.

This compact speaker fits perfectly in rooms of less than 30m², a technological achievement for a speaker consisting of only two drivers. The Duetto is supplied with an accessory box for an adapted decoupling. The S08 speaker stand, designed specifically for this model, is available as an option.

FINISHES :



Space Black



Golden Oak



Shadow Zebrano

TECHNOLOGIES



Tweeter TZ2900PMMG
New Magnesium Dome



Grave-Médium T16GMMT10GC1
New cone shape



Bornier
Nouveaux connecteurs



Interne cable
AudioQuest cable
LGC copper



Filters & components
SCR AUDIO capacitors and
air core coils

TECHNICAL SPECIFICATIONS

Type	Bass Reflex	High frequency roll-off (KHz)	3.1 (24dB/Oct)
Ways	2	Nominal impedance (ohms)	8
Driver units	2	Minimum impedance (ohms)	4
Sensitivity (dB/W/m)	88	Dimensions (mm) L x P x H	9.9 x 13.7 x18.1
Bandwidth (+/-3dB Hz-KHz)	38 - 30	Dimensions with pedestal (inch) L x P x H	9.9 x 13.7 x18.9
Power handling (W)	30 - 150	Unit net weight (Lbs)	37



MAGELLAN Voce 40TH
Datasheet



ÉDITION 40^{ÈME} ANNIVERSAIRE

Magellan 40TH

Voce
Datasheet

The ideal complement for an exceptional home theater system, the MAGELLAN Voce 40th is a 2-way center channel designed to reproduce dialogues. Its sealed enclosure delivers warm and detailed vocals.

The work conducted on its directivity minimized the placement issues usually encountered with this type of speaker.

The TZ2900 horn tweeter features a next generation dome in magnesium alloy that reveals the finest details of the soundtracks of your movies or series.

To achieve this level of accuracy and precision in the vocal register essential to TRIANGLE, the 2 drivers feature a paper diaphragm and small pleat suspensions emblematic of the brand. The curved shape of the cabinet is made of successive layers of high-density fiberboard, each 3mm thick. It offers excellent rigidity and excludes any internal parallels, thus avoiding any sound coloration.

The Magellan Voce 40th is TRIANGLE's response for improving the performance of home theater and multichannel music systems. The S08C speaker stand designed specifically for this model is available as an option.

FINISHES :



Space Black



Golden Oak



Shadow Zebrano

TECHNOLOGIES



Tweeter TZ2900PMMG
New Magnesium Dome



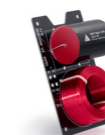
Grave-Médium T16GMF72MS
Paper cone



Bornier
Nouveaux connecteurs



Interne cable
AudioQuest cable
LGC copper



Filters & components
SCR AUDIO capacitors and air
core coils

TECHNICAL SPECIFICATIONS

Type	Bass Reflex	High frequency roll-off (KHz)	3 (24dB/Oct)
Voies	2	Nominal impedance (ohms)	8
Nombre de haut-parleurs	3	Minimum impedance (ohms)	4
Sensitivity (dB/W/m)	91	Dimensions (mm) L x P x H	23.7 x 13.4 x 9.9
Bandwith (+/-3dB Hz-KHz)	50 - 30	Dimensions with pedestal (inch) L x P x H	23.7 x 13.4 x 11
Puissance amplificateur (W)	40 - 200	Unit net weight (Lbs)	40.8



The S08 stands have been designed for premium bookshelf speakers. Designed for the TRIANGLE Duetto 40th, they incorporate a locking system that ensures the speaker is held securely in place.

The placement of the speakers on the S08 stands, at ear level, guarantees a perfect reproduction of the entire sound spectrum. With their high stability, the S08 absorb unwanted vibrations, thus preserving the neutrality and sound precision of your speakers.

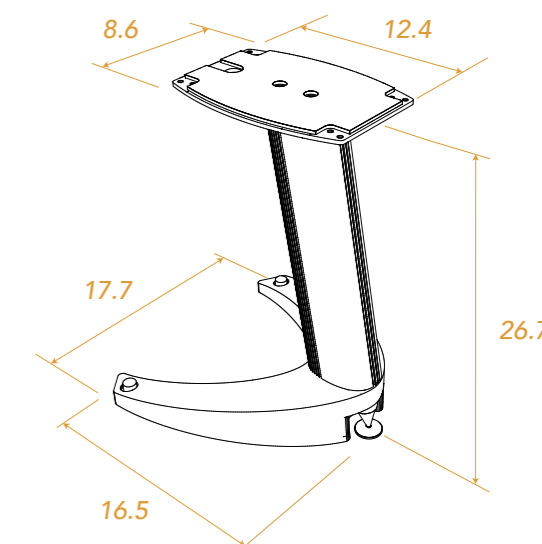
Made from a thick aluminum extrusion, the S08 stands not only have a sleek design but also a complex back structure that reduces reflections. Equipped with a compartment tube, you can add granular sand or tiny steel balls to ballast the stand and increase stability. (Triangle ballast balls sold separately)

Its high-density wood base is decoupled by three metal spikes that reduce the points of contact with the floor. The flatness is achieved by adjusting the height of the spikes, thus compensating for any imperfections in your floor. The center spike features SPEC technology for optimal vibration dissipation.

A cable management system at the back of the stand hides cables for a harmonious integration of your system in your living space. Versatile, the S08 stands have a large top plate that can accommodate all bookshelf type speakers weighing up to 35kg each.

TECHNICAL SPECIFICATIONS

Type	Bookshelf stand
Height (inch)	26.7
Base size (inch) L x P	17.7 x 16.5
Top plate size (inch) L x P	8.66 x 12.4
Cable management	Yes
Decoupling spikes	Yes, adjustable
Weighed foot	Yes, filling bag provided
Dimensions (inch) L x P x H	17,7 x 16,5 x 26.7
Unit net weight (Lbs)	9,2



Option

To obtain a perfectly stable speaker stand, TRIANGLE worked on a ballasting solution. The tube made of high-density micro-cylinders, can accommodate ballast balls to effectively reduce the risk of resonance and vibration generated by the speaker. Each kit contains 4 bags of 1kg, making it easy to place them in the central tube of your stands.





S08C
Datasheet

The S08-C speaker stand is dedicated for premium center channels. The speaker is positioned at the optimal height on its stand, ensuring a perfect reproduction without interfering with the visibility of your television or projection screen.

The upper part of the S08-C is available in two versions: one to accommodate the curved shapes of the center channel Voce Magellan 40th, and a universal one to accommodate all types of center channels weighing no more than 35kg each.

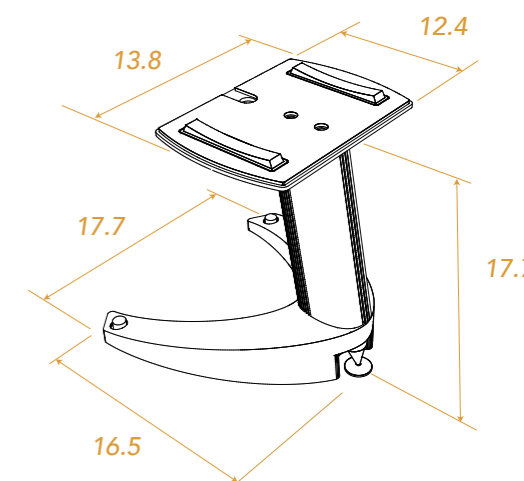
Perfectly stable, the S08-C absorbs unwanted resonances to accurately reproduce the subtleties of the soundtrack and guarantee perfect intelligibility of dialogue. The central tube is made from a thick aluminum extrusion. Equipped with a compartment tube, you can add granular sand or tiny steel balls to ballast the stand and increase stability. (Triangle ballast balls sold separately)

Its high-density wood base is decoupled by three metal spikes that reduce the points of contact with the floor. The flatness is achieved by adjusting the height of the spikes, thus compensating for any imperfections in your floor. The center spike features SPEC technology for optimal vibration dissipation.

A cable management system at the back of the stand hides cables for a harmonious integration of your system in your living space.

TECHNICAL SPECIFICATIONS

Type	Center channel stand
Height (inch)	17.7
Base size (inch) L x P	17.7 x 16.5
Top plate size (inch) L x P	13.8 x 12.4
Cable management	Yes
Decoupling spikes	Yes, adjustable
Weighed foot	Yes, filling bag provided
Dimensions (inch) L x P x H	17,7 x 16,5 x 17.7
Unit net weight (Lbs)	9,5



Option

To obtain a perfectly stable speaker stand, TRIANGLE worked on a ballasting solution. The tube made of high-density micro-cylinders, can accommodate ballast balls to effectively reduce the risk of resonance and vibration generated by the speaker. Each kit contains 4 bags of 1kg, making it easy to place them in the central tube of your stands.

